



# The Height Safety Specialist

www.akrobat.com.sg

ACCESSORIES

## AK B50

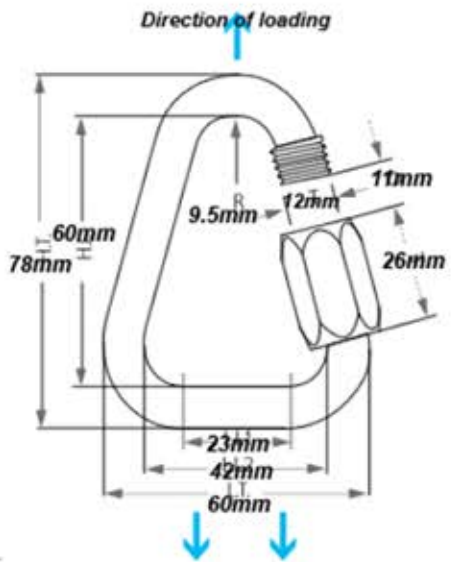
DELTA QUICKLINK FOR ROPE

### PRODUCT SPECIFICATIONS

- Maillon Rapide stainless steel.
- Delta shape: developed after the ever-increasing development of webbing-fitted systems; perfect for webbing uphold onto its lower flat part.
- Diameter:  $\varnothing 9\text{mm}$ ,
- Weight: 115g
- Working load limit: 980kg
- Breaking load: 4900kg
- May be used in salt water.

#### APPLICATIONS:

- Aeronautics
- Agriculture
- Architecture
- DIY
- Entertainment
- Industrial supplies
- Para-gliding
- Professional fishing
- Sailing
- Tramway



### CERTIFICATIONS AND STANDARDS

Z2CND1712 AFNOR  
316L AISI

