



The Height Safety Specialist

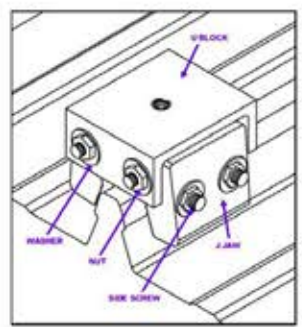
www.akrobat.com.sg

ROOF CLAMP

AK CLAMP SMALL NON-PENETRATING CLAMP

PRINCIPLE

- The fixing of the AK clamp is very simple : by just tightening the two side screws.
- Made of aluminium : therefore, no maintenance and no damage of the roof
- Weight: 210 g



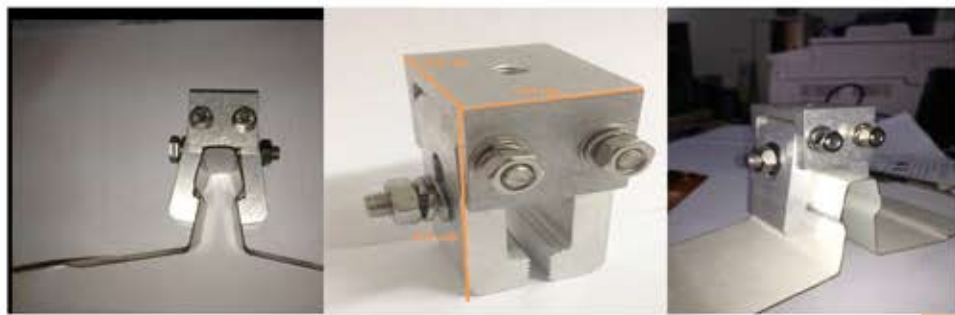
ADVANTAGE

- No penetration
- Strong holding

The AK clamp has been specially designed to fit on Bluescope Lysaght Kliplok 406 profile & likes....



NO PUNCTURE of the roof : No DAMAGE



RECOMMENDATION OF USE AND LOADING

- AK clamp should be fixed on the lapped rib (junction of two consecutive sheets)
- To get a better gripping, fix it at the very location of the roof clip.
- Tested on Bluescope Lysaght kliplok 406 profile, The ultimate loading was over 80kg.
- An appropriate safety factor should be applied (minimum 2).

LOAD TEST REPORT

Please inquire.

