



The right way to attach almost anything to metal roofs!

The Right Way!

S-5-K Clamp

The **S-5-K** and **S-5-K Mini** clamps are designed for use on Lysaght® Klip-Lok® 406, McElroy Mirage, Metal Sales Clip-Loc, AEP Span Klip-Rib® and roofing types with similar profiles.

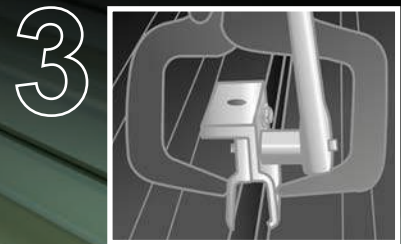
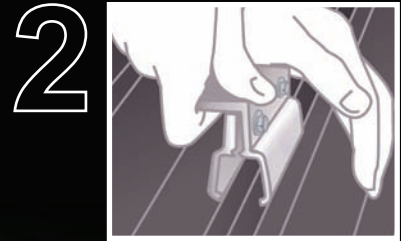
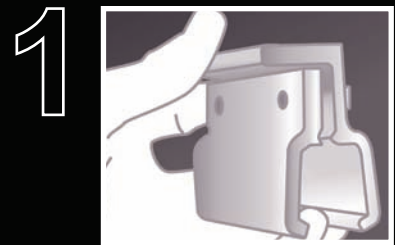
For load critical applications such as snow retention and attaching solar panels, the assembly should be specifically engineered to each individual project to ensure maximum hold. See www.S-5.com for full details.

Installation is as simple as mating the clamp halves and starting the M8 bolts. Position clamp on seam and tighten the M8 bolt with a ratchet or electric tool while securing the clamp with a locking C-clamp.

S-5-K Mini Clamp

The S-5-K Mini is a medium-duty, non-penetrating seam clamp and is a bit shorter than the S-5-K (and uses one tension bolt rather than two). The Mini is the choice for attaching all kinds of rooftop accessories: signs, walkways, satellite dishes, antennas, rooftop lighting, lightning protection systems, solar arrays, exhaust stack bracing, conduit, condensate lines, mechanical equipment-just about anything!*

*S-5! Mini clamps can be used with RamGard® unitized snow guards, but are not compatible and should not be used with S-5! SnoRail™/SnoFence™ or ColorGard® snow retention systems.



The S-5-K clamp is designed for use on Klip-Rib®, Klip-Lok® 406 and roofing types with similar profiles.

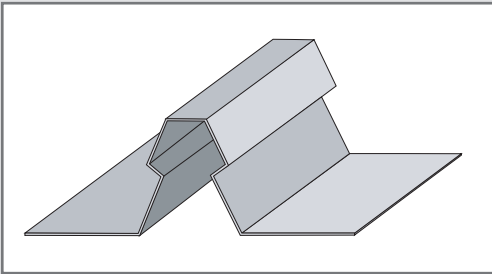
S-5-K and S-5-K Mini

The strength of the S-5-K clamps is in their simple design. The patented setscrews will slightly dimple the metal seam material but will not puncture it.

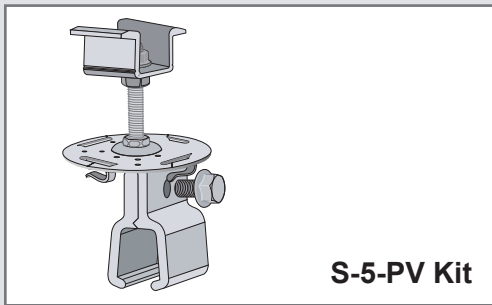
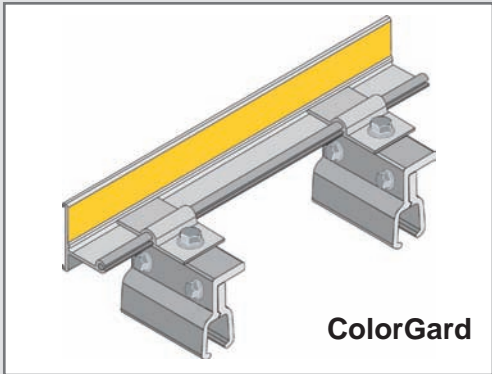
The **S-5-K and S-5-K Mini clamps** are furnished with the hardware shown to the right. Structural aluminum attachment clamps, the S-5-K and S-5-K Mini are compatible with most common metal roofing materials excluding copper. All included hardware is stainless steel. Please visit www.S-5.com for more information including CAD details, metallurgical compatibilities, and specifications.

The S-5-K and S-5-K Mini clamps have been tested for load-to-failure results on relevant profiles from leading manufacturers of panels. The independent lab test reports found on our website at www.S-5.com prove that S-5! holding strength is unmatched in the industry.

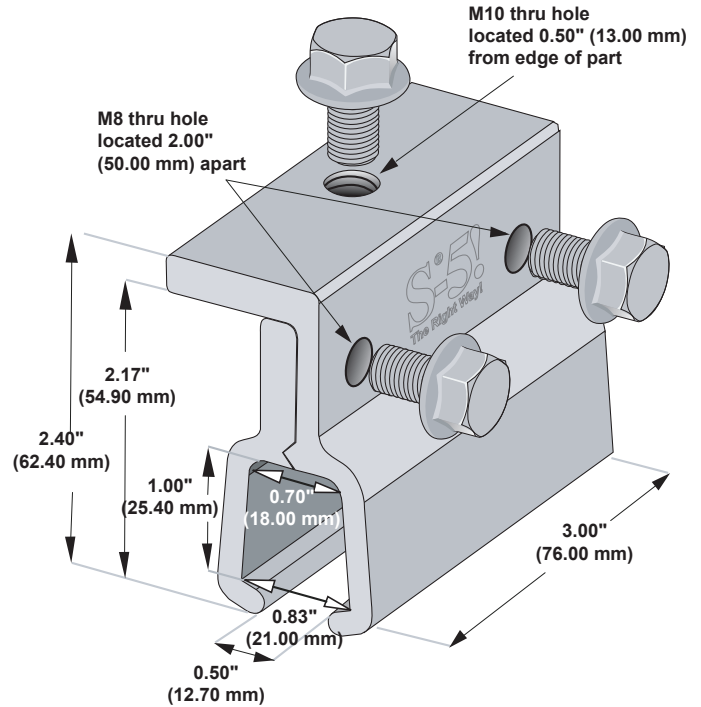
Example Profile



Example Applications

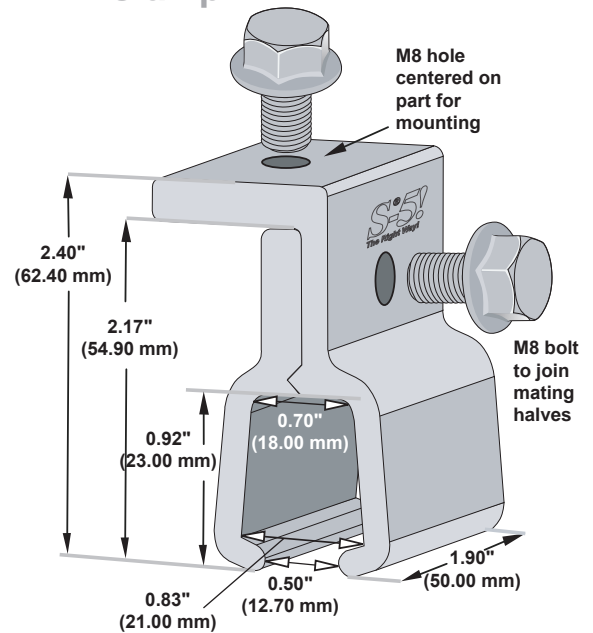


S-5-K Clamp



Please note: All measurements are rounded to the second decimal place.

S-5-K Mini Clamp



The Height Safety Specialist

www.akrobat.com.sg

Fall arrest systems - Personal Protective Equipments - Gondolas - Roof Clamps - Rope Access Work

Distributed by

Akrobat Pte Ltd

53 Ubi Avenue 1 #05-13 Paya Ubi Industrial Park
Singapore 408934

Tel : 6744 4235 / Fax : 6333 8836

info@akrobat.com.sg / www.akrobat.com.sg